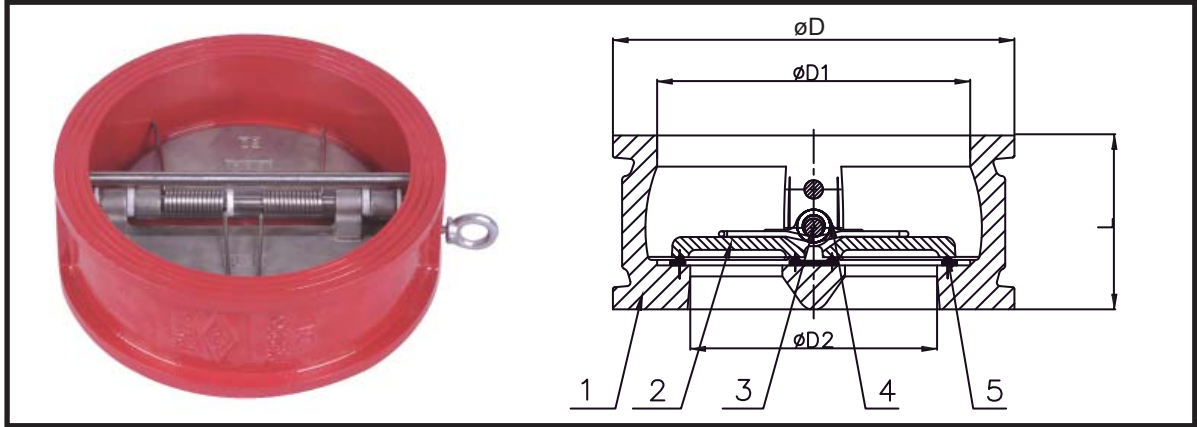


**WAFER  
DOUBLE DOOR  
CHECK VALVE**

**Model 2560**  
Ductile Iron Body  
For Fire Protection Service



**Description:**

1. Connection Ends: Compatible with:  
ASME B16.1 Class 125 and  
ASME B16.5 Class 150 Flanges
2. Working Pressure: 300 PSI
3. Temperature: 0°C to 100°C (32°F to 212°F)
4. Fusion Bonded Epoxy Coated to AWWA C550
5. Vertical or Horizontal installation
6. Short face to face dimension
7. Spring loaded for fast closure
8. Manufactured under a certified ISO 9001 Quality System
9. UL Listed for Fire Protection

**Applications:**

- Fire Protection
- Water and Wastewater
- Marine
- HVAC Systems

**DIMENSIONS**

Size	Part No.	L	D	D1	D2
2"	2560-120	2.13	4.17	2.68	1.81
2-1/2"	2560-125	2.36	5.00	3.07	2.36
3	2560-130	2.24	5.28	4.02	2.76
4"	2560-140	2.64	6.38	4.61	3.31
5"	2560-150	3.27	7.64	5.71	4.53
6"	2560-160	3.74	8.58	6.69	5.28
8"	2560-180	5.00	10.91	8.90	7.24
10"	2560-200	5.51	13.23	10.43	8.66
12"	2560-220	7.13	15.98	12.20	10.24
14"	2560-240	7.24	17.60	14.17	11.89
16"	2560-260	7.52	19.88	16.14	13.78

Design and materials are subject to change without notice.  
Dimensions in inches

**MATERIAL LIST**

Item No.	Description	Material
1	Body	Ductile Iron ASTM A536, 65-45-12
2	Disc	Stainless Steel AISI 316
3	Stem	Stainless Steel AISI 420
4	Spring	Stainless Steel AISI 304
5	Rubber Seat	EPDM



**United Water Products**  
2113 W. 30th Street, Jacksonville, FL 32209  
TEL: 877-766-4459 FAX: 877-766-4458  
Website: [www.unitedwaterproducts.com](http://www.unitedwaterproducts.com)